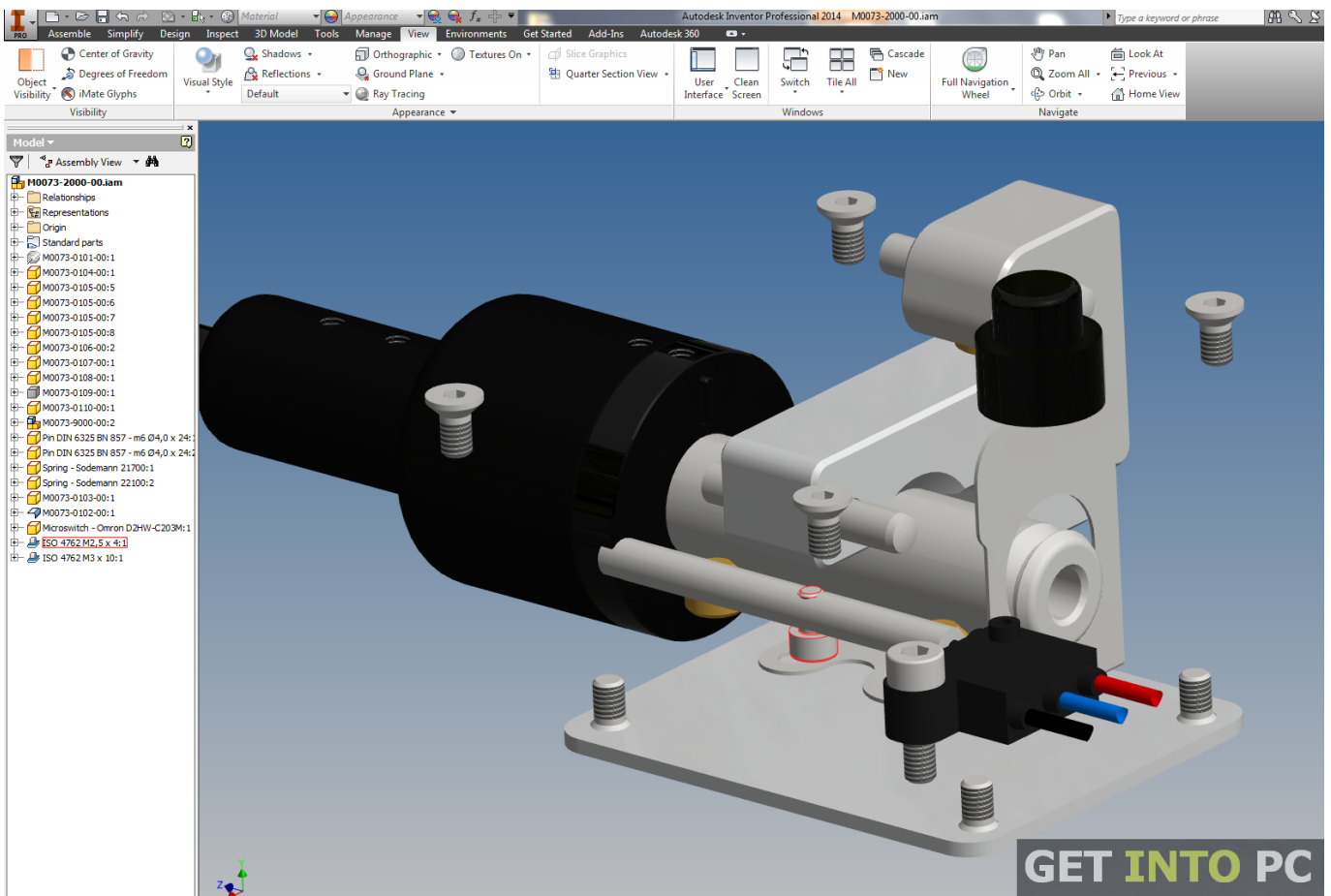


DOWNLOAD

[Can You Get Autodesk Inventor For Mac For Students](#)



[Can You Get Autodesk Inventor For Mac For Students](#)

DOWNLOAD

SolidworksAutodesk Inventor Fusion 1 2 - 3D CAD modeling software Download the latest versions of the best Mac apps at safe and trusted MacUpdate Download, install, or update Autodesk Inventor Fusion for Mac from MacUpdate.. In addition, we provide full support for a number of products when used on the Mac in virtualized environments including Parallels Desktop and VMware Fusion.. The Macintosh system must use Boot Camp or Parallels to manage the Windows partition and meet the minimum system requirements.. System requirements for AutoCAD for Mac 2018 Operating System Apple® macOS® High Sierra v10.

Autodesk sketchbook vs sketchbook pro Autodesk provides many native Mac products for 3D modeling, CAD, rendering, animation, VFX, and digital imagery.. Can Autodesk Inventor be installed on a Mac? Inventor runs on a Mac in either a Boot Camp or Parallels Windows Environments.. AutoCAD products for Mac include much of the functionality of the Windows versions but have a look and feel that is familiar to Mac users and a feature set designed for the Mac OS environment.. Autodesk 2016 Professional Version Products Universal Keygen incl This item is similarly available in different structures and best for an extensive variety of customers especially for understudies, models and furthermore skilled workers.

autodesk inventor students

autodesk inventor students, autodesk inventor studentská verze, download autodesk inventor students, autodesk inventor free for students, autodesk inventor projects for students, autodesk inventor project ideas for students, inventor autodesk free download students, autodesk inventor projects for students pdf, autodesk inventor projects for high school students, free autodesk inventor 2020 for students, autodesk inventor student download, autodesk inventor student free, autodesk inventor student mac, autodesk inventor student login, autodesk inventor student uk

Can Autodesk Inventor be installed on a Mac? Inventor runs on a Mac in either a Boot Camp or Parallels Windows Environments.. Autodesk-Inventor-Student-2016-Professional-Free-Download DOWNLOAD SETUP+CRACK MIRROR LINK DAILYUPLOADS/UPLOADS.. This article provides the system requirements for Autodesk® AutoCAD for Mac 2018.. Is autodesk only for mac Autodesk design review 2018 for mac. Autodesk Inventor FusionUtilize any numeric string like 69, 68 and 45 Utilize your own Product Key or discover one here (for AutoCAD: 001H1).

download autodesk inventor students

2 - 3D CAD modeling software Download the latest versions of the best Mac apps at safe and trusted MacUpdate Download, install, or update Autodesk Inventor Fusion for Mac from MacUpdate.

autodesk inventor projects for students

TO/DROPBOX Establishment Instructions of Autodesk Inventor: To start with Install any result of Autodesk you got AutoCAD 2016 for instance.. Autodesk Inventor FusionSolidworksAUTODESK INVENTOR STUDENT 2016 CRACK PROFESSIONAL VERSION Posted inl AUTODESK INVENTOR STUDENT 2016 CRACK PROFESSIONAL VERSION Autodesk Inventor Student 2016 is surely an American general programming venture which makes programming especially for the change, producing, design, building, media,notwithstanding energy organizations.. Distinctive specialists despite home customers from around the globe are utilizing extraordinary event development bot because its intrinsic full pushed gadgets despite components that props up customers for advancement, creating and so forth.. Compare AutoCAD vs AutoCAD for Mac Create stunning designs and improve collaboration with innovative productivity tools in Autodesk AutoCAD for Mac software.. Autodesk AutoCAD 2018 2 for Mac Free Download is setup of standalone compressed file. d70b09c2d4

<http://mewahasspan.ml/manlmer/100/1/index.html/>

<http://gaysanvira.tk/manlmer86/100/1/index.html/>

<http://waufragpivi.ga/manlmer72/100/1/index.html/>